



INKJET INFEEDER

A complete range of devices for carrying out processes in the finishing stages.



INKJET INFEEDER

Machine for introducing fabric into digital printing machines.

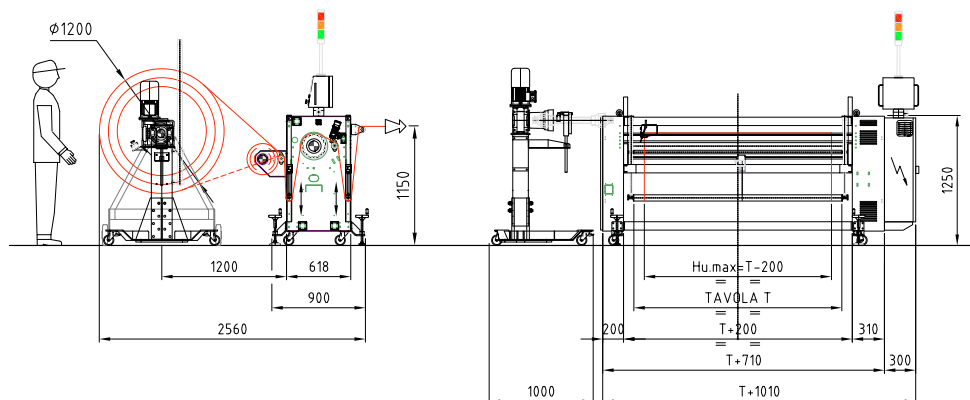
overall dimensions L x H x W	1100 x 1610 x (RW+1010) weight 680Kg
material	carbon steel
color on painted steel	RAL 7021 for the structure RAL 9006 for side doors
rollers width	from 2000 mm to 2800 mm BIG: from 3000 mm to 4000 mm
fabric width	from 1800 mm to 2600 mm BIG: from 2800 mm to 3800 mm
mechanical speed	30 m/min
compressed air max	6 bar
voltage	standard 3x400VAC-50Hz or others on request
installed power	2 kW
motorization	AC controlled by inverter
ambient temperature	from 0° to +55°
noise	<75 dB(A)
operator pannel	color touch-screen
control	PLC
teleservice	optional
industry 4.0	optional



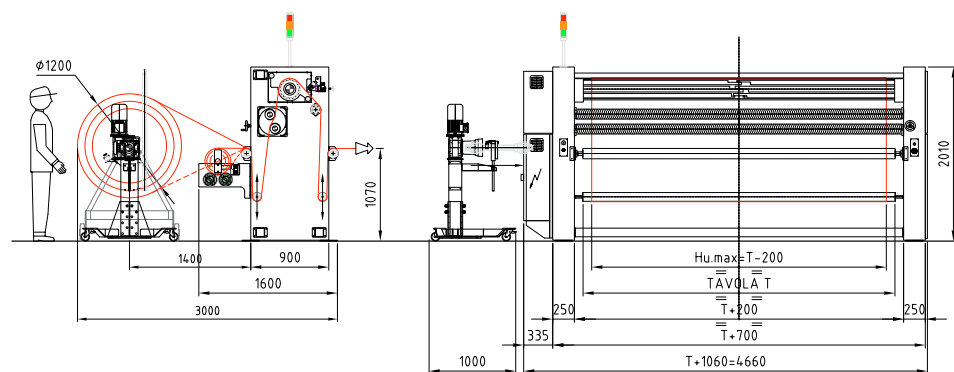
www.bianco-spa.com

INKJET INFEEDER

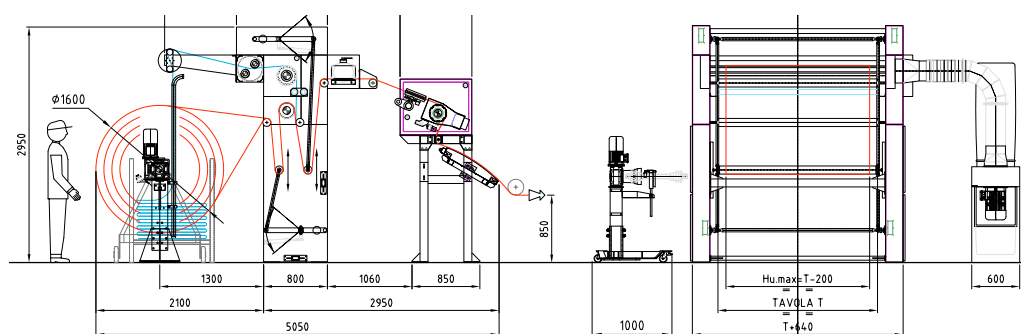
A complete range of devices for carrying out processes in the finishing stages.



Standard Digital print introduction line



Digital print introduction line large working width



Special Digital print introduction line